

valves

# 2004 Series

Solenoid Pilot Actuated Valves

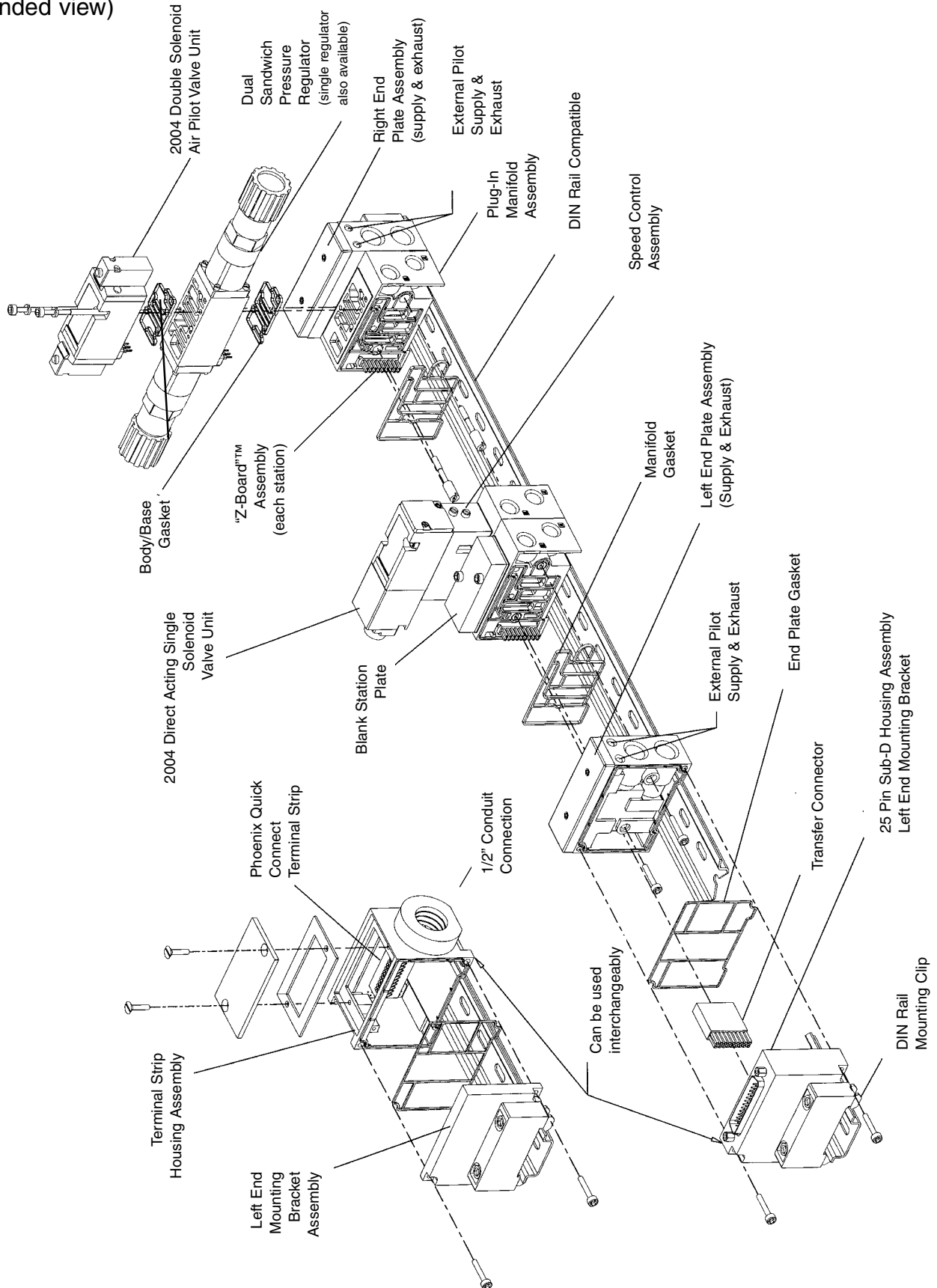


# numatics®

<b>2004 Series</b> .....	3-24
25 Pin Sub-D and Terminal Strip Options .....	3
Electronic Interface and I/O Module options .....	4
Technical Data .....	5
How to Order .....	6-8
Single Station Valve Manifold Assembly .....	9
FlexiBlok® Assembly .....	10-11
Sandwich Pressure Regulators .....	12
Valve Regulator / Speed Control Plug-in Assembly .....	13
Regulator Kits & Service Parts .....	13
Sandwich Pressure Regulator .....	14
Manifolds .....	15
Solenoid Assembly .....	16
Blank Station Plate Kit .....	16
Speed Control Kit .....	16
Mid-Station Supply and Exhaust Block .....	17
Sandwich Pressure Block .....	17
DIN Rail Clamp Kit .....	18
Blocking Discs .....	18
Internal Pilot Plug Assembly .....	18
End Plate Assembly Kit - Threaded Parts List .....	19
Sandwich Pressure Block Parts List .....	19
Sub-D Kit Parts List .....	20
Terminal Block Kit Parts List .....	20
Valve Service Kits and Parts .....	21-24

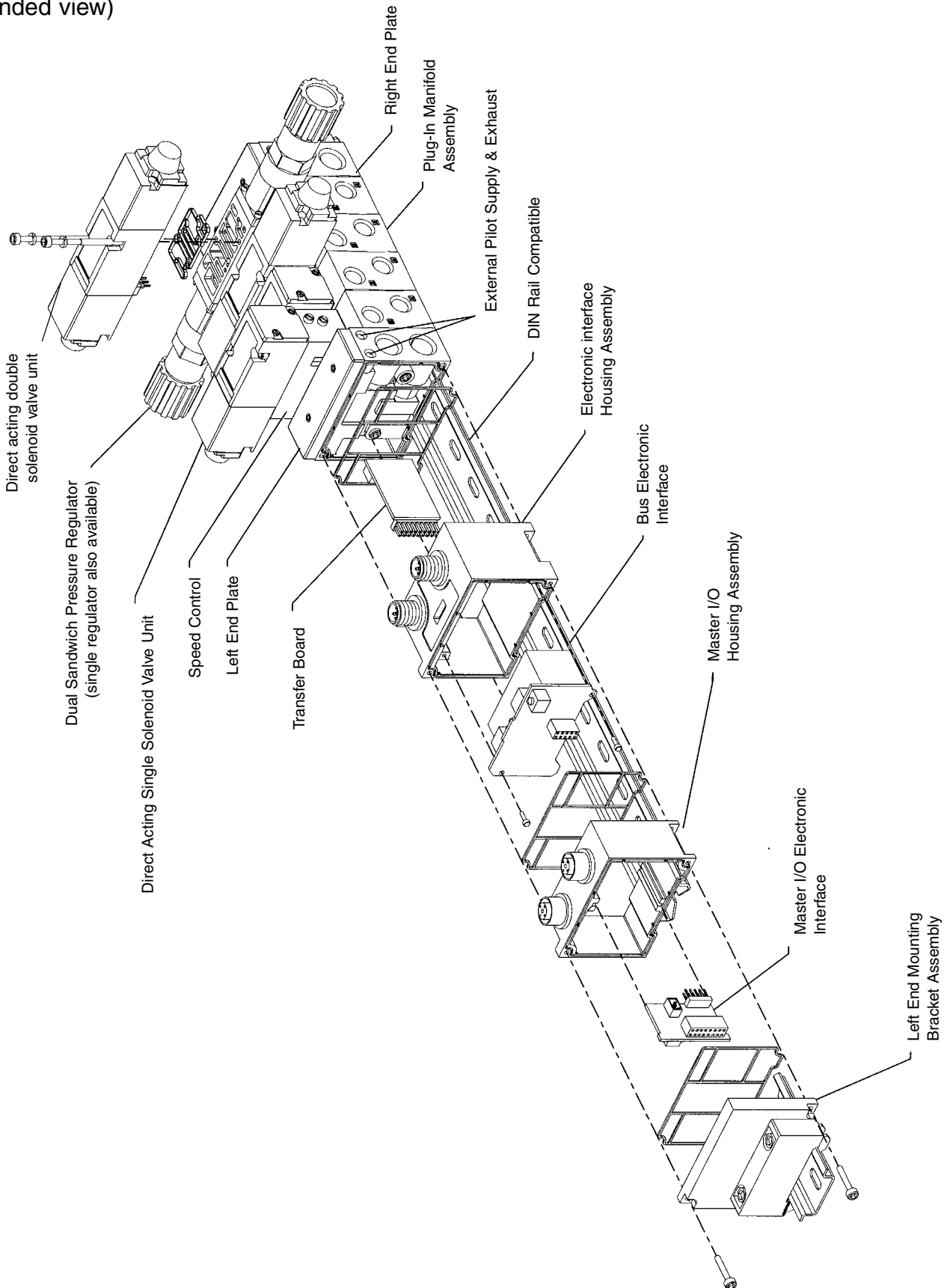


### 25 Pin Sub-D and Terminal Strip Options (expanded view)



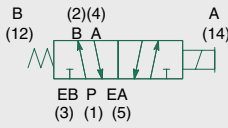


### Electronic Interface and I/O Module options (expanded view)

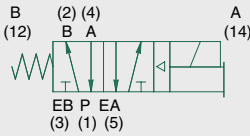




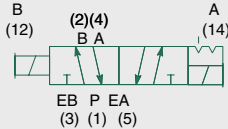
single solenoid  
2 position 4-way



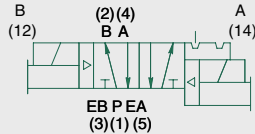
single solenoid air pilot  
2 position 4-way



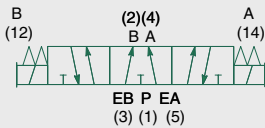
double solenoid  
2 position 4-way



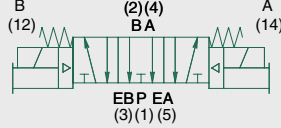
double solenoid air pilot  
2 position 4-way



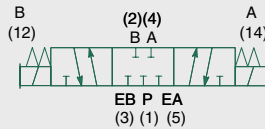
double solenoid  
3 position 4-way  
open center



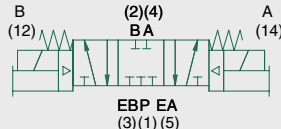
double solenoid air pilot  
3 position 4 way  
open center



double solenoid  
3 position 4-way  
closed center



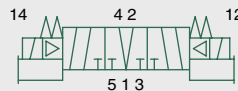
double solenoid air pilot  
3 position 4-way  
closed center



- All internal wiring eliminated
- True plug together flexibility/expendability
- Designed to meet NEMA 4 specifications
- Compact plug together bus interface module
- 25 pin sub-D connector option
- Terminal strip option (Phoenix style)
- Plug together modular Inputs/Outputs
- Plug-in speed control sandwich with adjustments on one side
- Plug-in single and dual pressure regulators



double solenoid pilot  
3 Position 4-Way (5/3),  
open to 4 (A) and  
2 (B) in center



double solenoid  
3 Position 4-Way (5/3),  
open to 4 (A) and  
2 (B) in center



### Technical Data

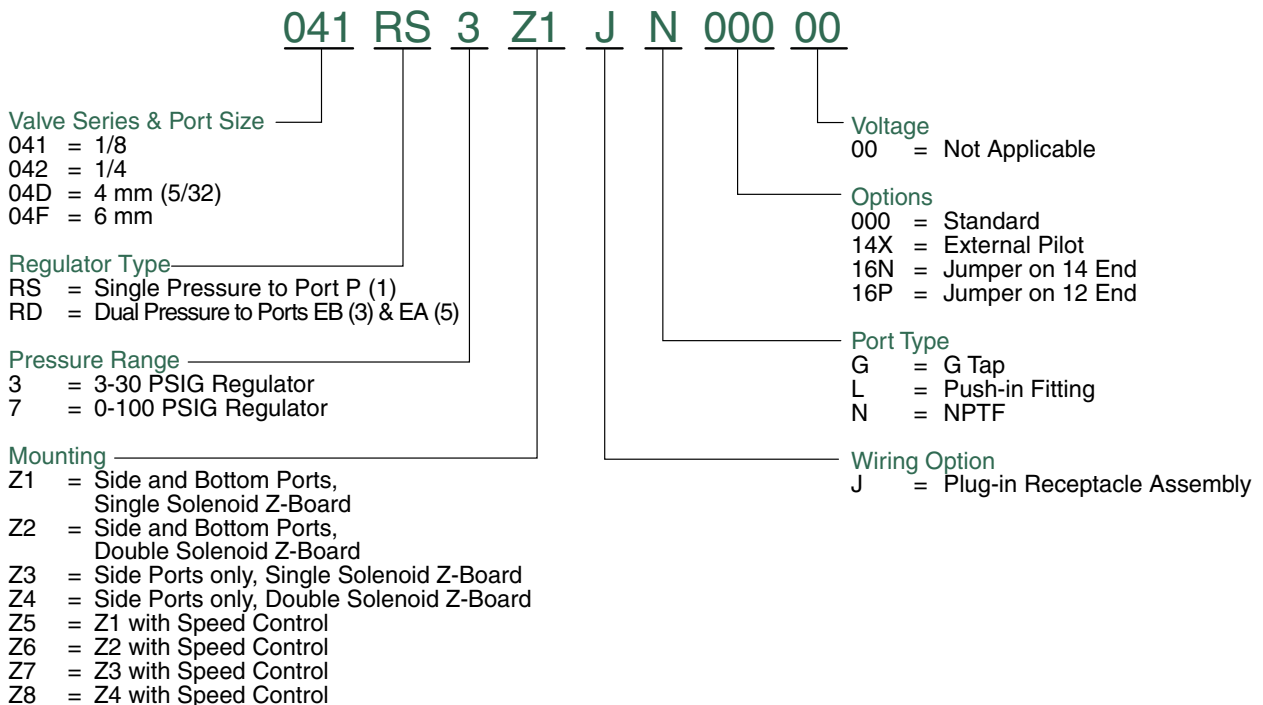
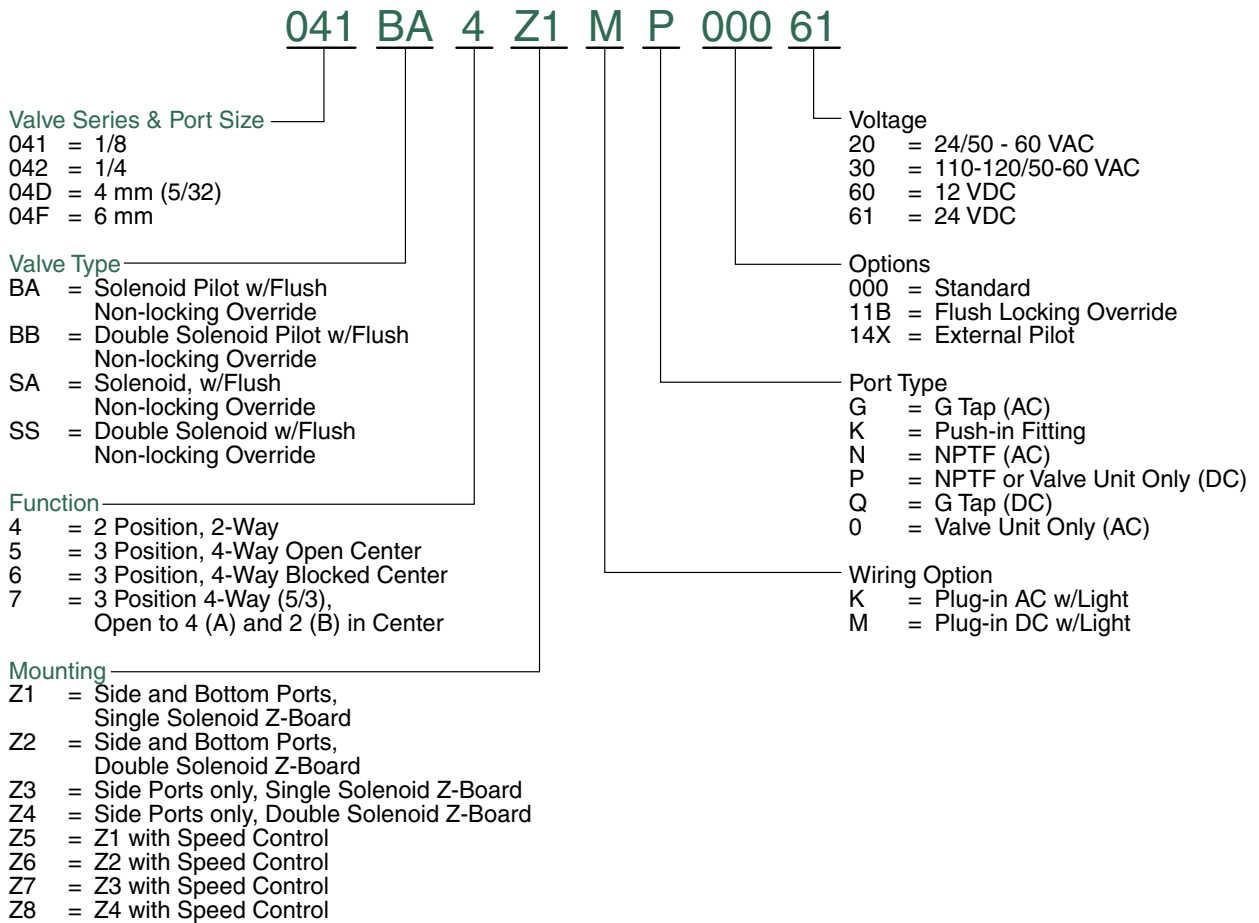
VALVE DATA	NPTF		G TAP	
	DIRECT	SOLENOID AIR PILOT	DIRECT	SOLENOID AIR PILOT
Cv	0.35	0.40	0.25	0.40
Flow Capacity	16 SCFM	18 SCFM	345 NI/m	394 NI/m
Operating Pressure Range	28" Hg. to 150 PSIG		Vacuum to 10 bar	
Pilot Pressure Range	20 to 115 PSIG		2.5 to 8 bar	
Temperature Range (Ambient)	-10°F to +115°F ambient		-23°C to +46°C	

### Operating Data

ALL SOLENOIDS ARE CONTINUOUS DUTY RATED	24 VDC				DIRECT ONLY	
	DIRECT	SOLENOID PILOT	115 VAC/50Hz	120VAC/60Hz		
Power (Watts)	6.0W	0.5W	5.4	4.1		
Holding Current (Amps)	0.25	0.02	0.063	0.052		
Inrush Current (Amps)	N/A	N/A	0.093	0.090		
RESPONSE TIME IN SECONDS	ENERGIZE		DE-ENERGIZE		ENERGIZE	DE-ENERGIZE
	DIRECT	SOL. PILOT	DIRECT	SOL. PILOT		
2 - Position, Single, Spring Return	0.012	0.014	0.008	0.028	0.008	0.012
2 - Position, Double, Detented	0.012	0.014	N/A	N/A	0.008	N/A
3 - Position, Spring Centered	0.012	0.014	0.008	0.028	0.008	0.012



### How to Order





### How to Order

#### Manifold Assembly

**AK F D H 0000 2 L DRM**

**Electrical/Electronics  
Type & Location**

F = Terminal Strip  
J = 25 Pin Sub-D  
C = Fieldbus Electronics,  
See Electronics Section

**Valve Line**

D = 2004 Series

**\*Number of Valve Stations**

A = 1 I = 9  
B = 2 J = 10  
C = 3 K = 11  
D = 4 L = 12  
E = 5 M = 13  
F = 6 N = 14  
G = 7 O = 15  
H = 8 P = 16

**Options**

STD = Standard  
DRM = DIN Rail Mounting (Std. 35mm)  
MUF = Muffler in End Plates  
DWM = DIN Rail with MUF

**Port Type**

G = G Tap  
L = Push-In  
N = NPTF

**End Plate Port Size**

2 = 1/4  
F = 6 mm (Push-In only)  
H = 8mm (Push-In only)

- The electrical connection type.
  - Sub-D (AK“J”) 16 maximum solenoid outputs
  - Terminal Strip (AK“F”) 16 maximum solenoid outputs



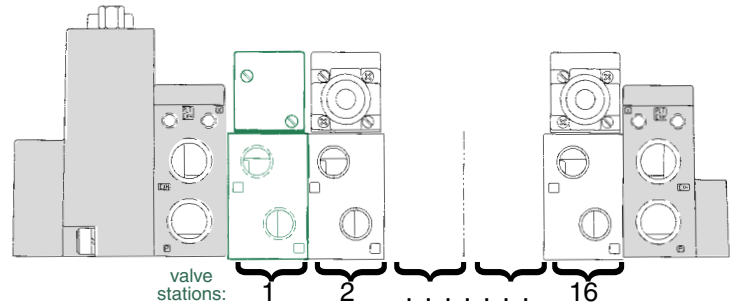
### When Ordering

#### AKJ 25 Pin Sub-D

- Shaded components described by Assembly Kit (AK) model number designation (pg. 7).
- Each valve manifold station is listed in sequential order from left to right when facing the port side of the manifold as indicated.

Example Order:

	AKJDD00002NSTD
valve station 1	042SA4Z3KL00030
valve station 2	042SA4Z3KL00030
valve station 3	042SS4Z4KL00030
valve station 4	042SS4Z4KL00030
	ASSEMBLED

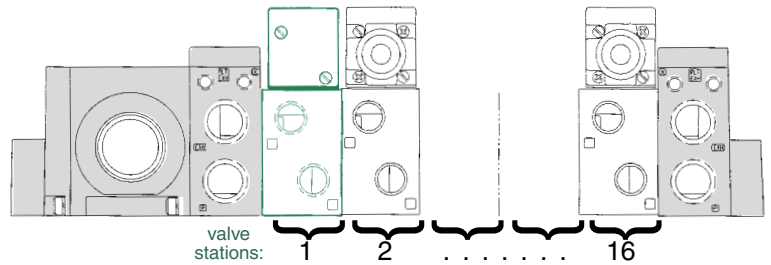


#### AKF Terminal Strip

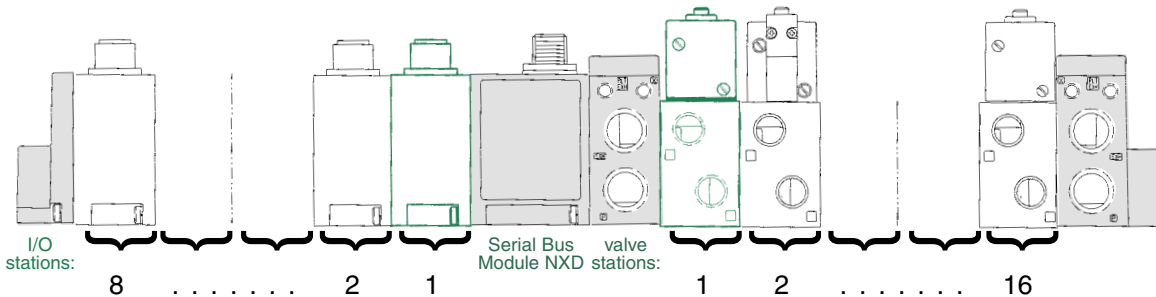
- Ordered using the same method as for 20 Pin Sub-D

Example Order:

	AKFDD0000FGSTD
valve station 1	042SA4Z4KL00030
valve station 2	042SA4Z4KL00030
valve station 3	042SS4Z4KL00030
valve station 4	042SS4Z4KL00030
	ASSEMBLED



#### AKC Serial/Bus



- Shaded components described by Assembly Kit (AK) model number designation (see electronics section), with the exception of the Serial/Bus module and number of I/O stations that are described by Electronic Interface (NXD) model number designation. (see electronics section)
- Each valve manifold station is listed in sequential order from left to right when facing the port side of the manifold as indicated.
- Each discrete I/O station is listed in sequential order from RIGHT to LEFT starting from the Serial/Bus module as indicated.

Example order:

	AKCDD0000HLSTD	
valve station 1	042BA4Z3MK00061	
valve station 2	042BA4Z3MK00061	
valve station 3	042BB4Z4MK00061	
valve station 4	042BB4Z4MK00061	
	NXDDN0808DFE02	
I/O station 1	239-1802	Input Master Kit
I/O station 2	239-1803	Input Slave Kit
I/O station 3	239-1803	Input Slave Kit
I/O station 4	239-1803	Input Slave Kit
I/O station 5	239-1800	Output Master Kit
I/O station 6	239-1801	Output Slave Kit
I/O station 7	239-1801	Output Slave Kit
I/O station 8	239-1801	Output Slave Kit
	ASSEMBLED	

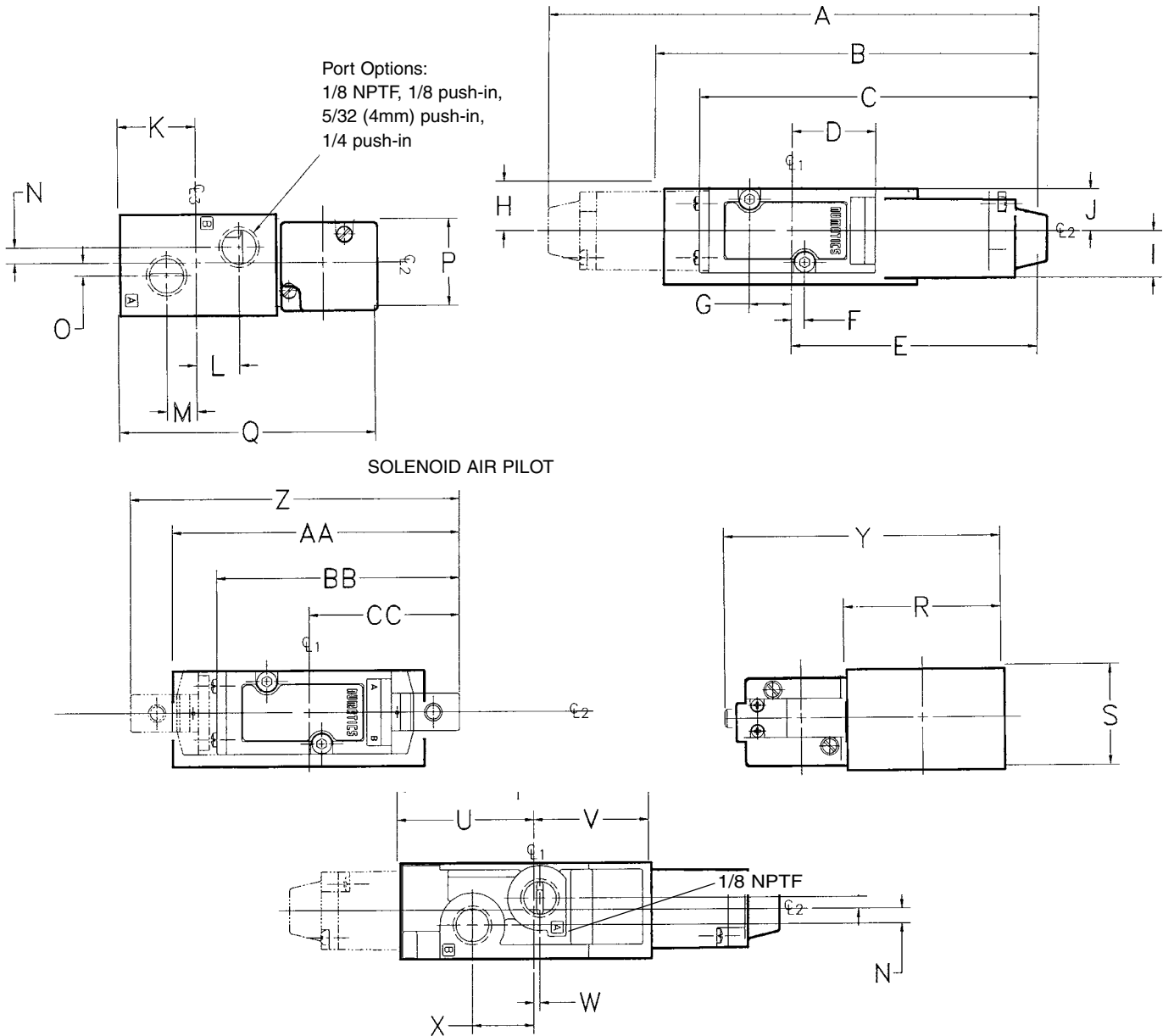
NOTE: I/O station #1 must always be a MASTER KIT (see electronics section).

NOTE: Total of 16 solenoid outputs available. Either 16 single solenoid valves or 8 double solenoid valves or any combination of singles or doubles, not to exceed 16 solenoid outputs.





### Single Station Valve Manifold Assembly direct solenoid and solenoid air pilot



### Dimensions

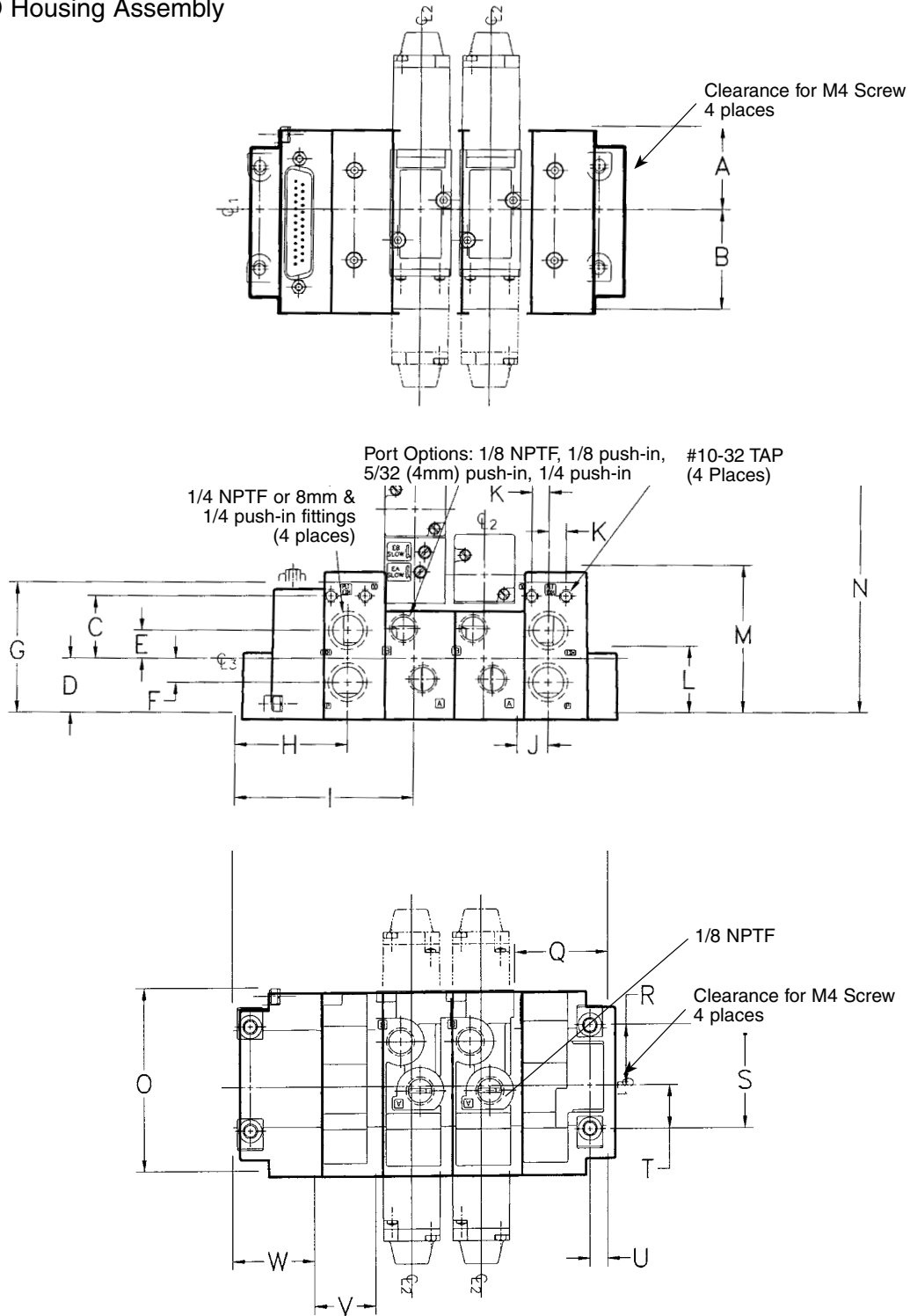
top dimensions = inches  
bottom dimensions (in parenthesis) = millimeters

A	B	C	D	E	F	G	H	I	J	K	L	M	N	O
5.10 (129.6)	3.98 (101.2)	3.52 (89.3)	0.87 (22.0)	2.55 (64.8)	0.13 (3.4)	0.44 (11.3)	0.52 (13.1)	0.48 (12.3)	0.44 (11.1)	0.78 (19.8)	0.43 (11.0)	0.30 (7.6)	0.16 (4.0)	0.13 (3.2)
P	Q	R	S	T	U	V	W	X	Y	Z	AA	BB	CC	
0.88 (22.2)	2.57 (65.3)	1.56 (39.7)	1.00 (25.4)	2.64 (67.0)	1.43 (36.4)	1.21 (30.6)	0.06 (1.6)	0.65 (16.4)	2.75 (69.9)	3.45 (87.6)	3.22 (81.6)	2.55 (64.8)	1.58 (40.1)	



## 2004 Series

### FlexiBlok® Assembly 25 pin sub-D Housing Assembly



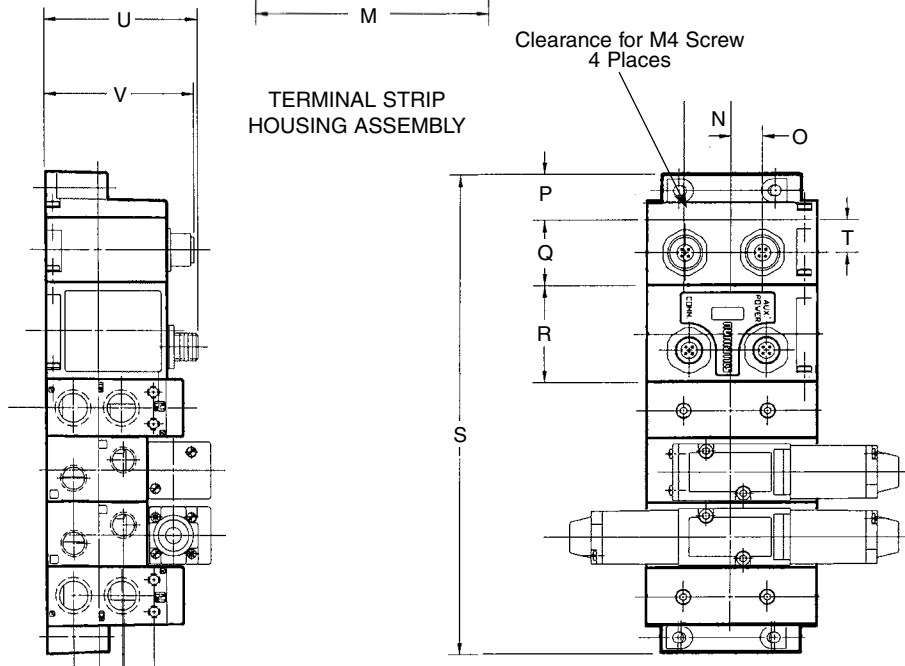
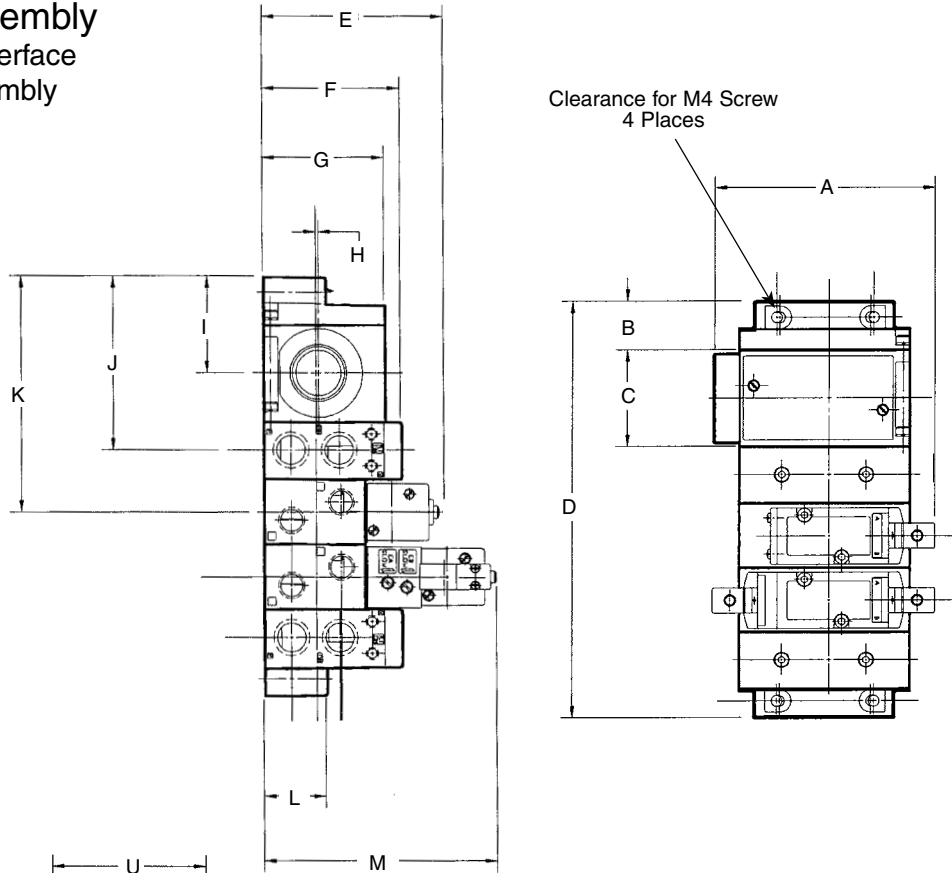
### Dimensions

top dimensions = inches  
bottom dimensions (in parenthesis) = millimeters

A	B	C	D	E	F	G	H	I	J	K	L	M	N	O	P	Q	R	S	T	U	V	W
1.21	1.43	0.90	0.78	0.41	0.34	1.88	1.62	2.58	0.44	0.25	0.96	2.13	3.51	2.64	5.39	1.33	0.87	1.50	0.63	0.25	0.88	1.18
(30.6)	(36.4)	(23.0)	(19.8)	(10.3)	(8.7)	(47.8)	(41.2)	(65.5)	(11.2)	(6.2)	(24.4)	(54.1)	(89.2)	(67.0)	(136.9)	(33.7)	(22.2)	(38.1)	(15.9)	(6.5)	(22.4)	(30.0)



### Flexiblok® Assembly Bus Electronic Interface I/O Housing Assembly



### Dimensions

top dimensions = inches

bottom dimensions (in parenthesis) = millimeters

A	B	C	D	E	F	G	H	I	J	K	L	M	N	O	P	Q	R	S	T	U	V
3.41	0.75	1.50	6.46	2.81	2.13	1.88	0.06	1.50	2.69	3.65	0.96	3.61	0.73	0.49	0.71	1.00	1.50	7.42	0.50	2.38	2.32
(86.6)	(19.1)	(38.1)	(164.1)	(71.4)	(54.1)	(47.8)	(1.6)	(38.1)	(68.3)	(92.7)	(24.4)	(91.7)	(18.5)	(12.5)	(18.1)	(25.4)	(38.1)	(188.5)	(12.7)	(60.5)	(59.0)



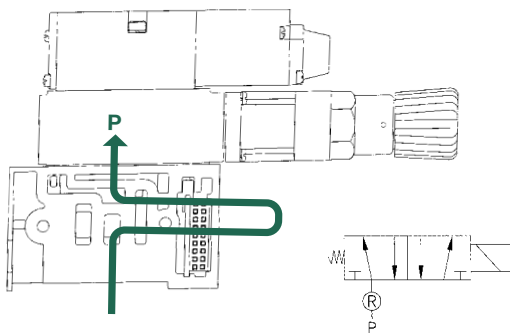
### Sandwich Pressure Regulators Types: RS / RD

When ordering a valve plus regulator mounted on a manifold, list the valve unit-only model number and include the mounting requirements within the regulator model selection. Specify "Assembled."



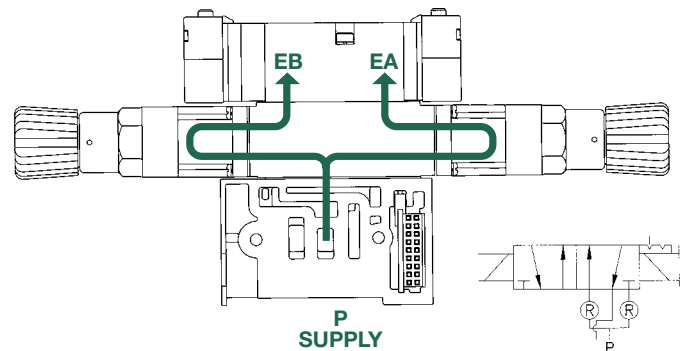
EXAMPLE ORDERS:	TYPE RS	TYPE RD
Valve unit only:	041SA407K000030 (AC)	041BB407MP00061 (DC)
Regulator + mounting	041RS3Z1JN000000 ASSEMBLED	041RD3Z2JN000000 ASSEMBLED

#### Type RS



Single pressure from a single supply.

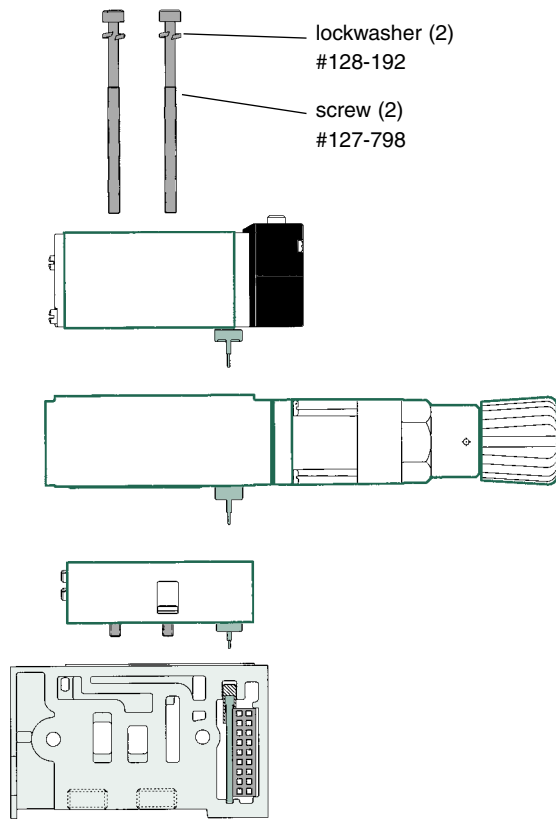
#### Type RD



Dual pressure from a single supply.



### Valve Regulator / Speed Control Plug-in Assembly



#### EXAMPLE

041BA407MP00061

2004 single solenoid valve unit with plug-in assembly and extra long mounting screws for use with regulator and speed control

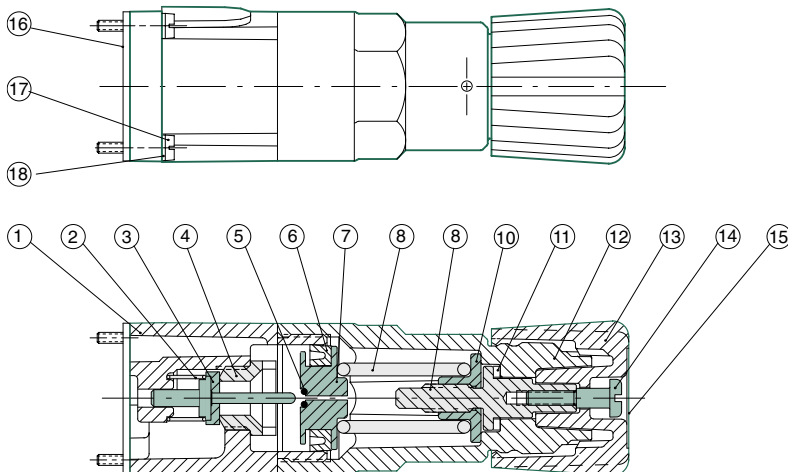
042RS3Z7JL00000

Single pressure regulator Type RS + speed control sandwich mounted on a 1/4 inch manifold with side ports and push-in fittings.

Example order:

Valve: 041BA400M000061  
Regulator: 042RS3Z7JL00000  
ASSEMBLED

### Regulator Kits & Service Parts Regulator Service Kit 239-708



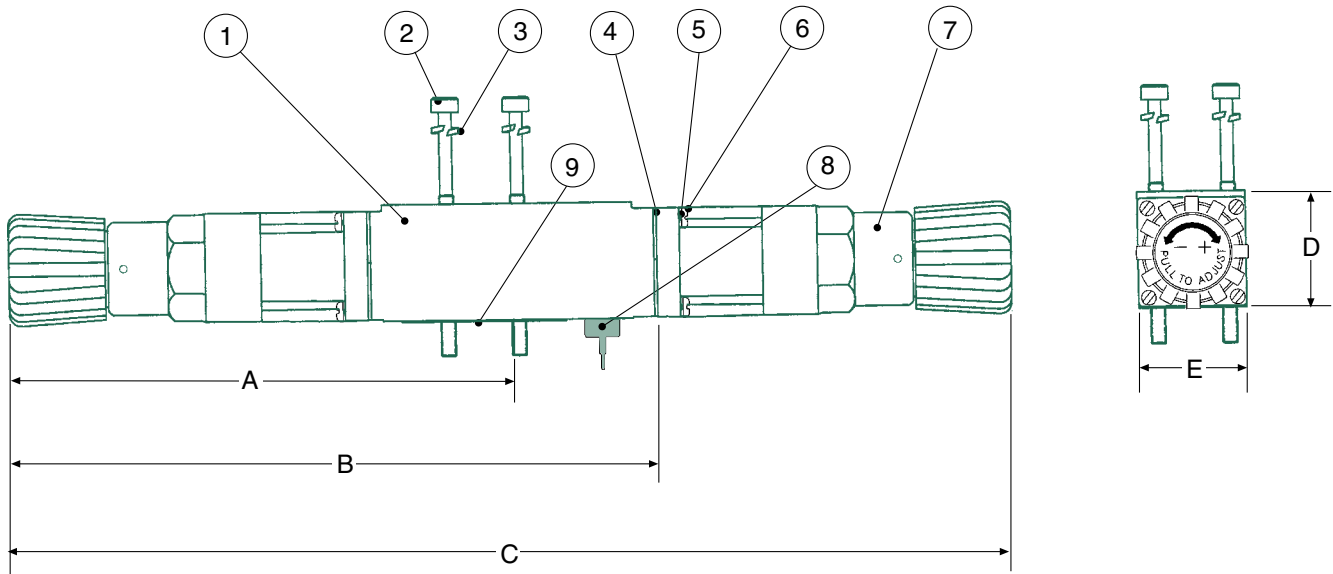
#### Parts List

DET. NO.	NO. REQ'D	PART NAME	PART NO.
1	1	Regulator Body	101-706
2*	1	Spring	115-226
3*	1	Poppet Assembly	221-168
4	1	Poppet Seat	124-148
5*	1	O-Ring	126-336
6*	1	Seal U-Packing	124-302
7	1	Piston	125-618
8	1	Spring	0-30 PSIG 115-352 0-100 PSIG 115-342
9	1	Metering Screw	118-187
10	1	Spring Guide	112-369
11*	1	Bearing	125-617
12	1	Bonnet	125-623
13	1	Knob	125-624
14*	1	Screw	127-706
15	1	Label	122-992
16*	1	Gasket	113-472
17	4	Screw	127-380
18	4	Lockwasher	128-172

\* (2) Required for RD  
\*\* (8) Required for RD



### Sandwich Pressure Regulator



#### Dimensions

top dimensions = inches  
bottom dimensions (in parenthesis) = millimeters

A	B	C	D	E
4.08 (103.7)	5.24 (133.0)	8.17 (207.4)	0.94 (23.9)	0.87 (22.1)

#### Parts List

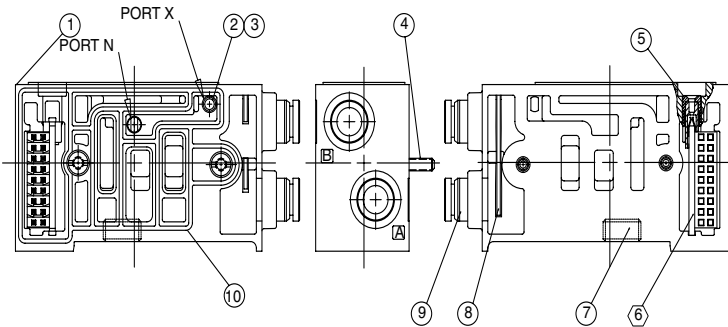
DET. NO.	NO. REQ'D	PART NAME	PART NO.
1	1	Regulator Block (RD)	125-716
1	1	Regulator Block (RD)	125-715
2	2	Soc. Head Cap Screw	127-798
3	2	Lockwasher	128-192
4*	2	Gasket	113-472
5**	8	Lockwasher	128-172
6**	8	Screw	127-380
7**	2	Regulator Assembly (not sold separately)	
8	1	J Plug Board Encap.	230-835
9	1	Gasket	113-499
not shown	1	Retaining Shroud	125-717
not shown	1	Shroud	125-718
		Pressure Gauge 0-150 PSIG	214-209
		Pressure Gauge 0-60 PSIG	214-216

\* (1) Required for RS

\*\* (4) Required for RS



### Manifolds



Stud  
#127-792

### Parts List

DET. NO.	NO. REQ'D	PART NAME	PART NO.
1	1	Manifold	106-1371
2	1	Blocking Disk	125-730
3	1	O'Ring Seal	126-427
4	2	Stud	127-792
5	1	Retaining Shroud	125-717
6	1	Manifold Board ASS'Y	not sold separately
7	1	Pipe Plug (1/8 NPTF)	129-100
8	1	Fitting Clip	125-1136
9	2	1/4 Slip-In Cartridge	134-518
		1/8 Slip-In Cartridge	134-500
		4MM Slip-In Cartridge	134-498
		8MM Slip-In Cartridge	134-499
10	1	Gasket	113-504

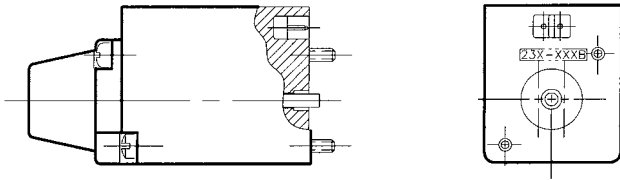
MANIFOLD ASSEMBLY KITS	1/8 NPTF	G 1/8	1/8 PUSH-IN	5/32 - 4MM PUSH-IN	1/4 PUSH-IN	6MM PUSH-IN
Single "Z-Board"™	239-935	239-1036	239-2346	239-2348	239-2345	239-2347
Double "Z-Board"™	239-934	239-1035	239-2350	239-2352	239-2349	239-2351

NOTE: For direct acting applications, factory will install plug into the N-port.  
 For SPA applications, factory will install plug into the X-port.  
 For manifolds ordered individually, pilot plugs will be packaged separately.  
 If using internal pilot supply (Port N), the X-port in the left end plate must be plugged.



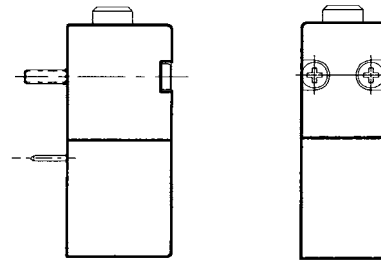
## 2004 Series

### Solenoid Assembly Direct Solenoid

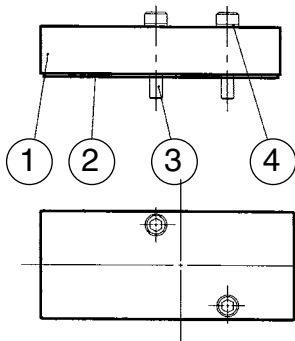


VDC	2 Pos.	3 Pos.
24	236-319	236-337
VAC	2 Pos.	3 Pos.
110-120/50-60	237-1018	237-1015
24/50-60	237-1019	237-1017

### Solenoid Air Pilot 236-565



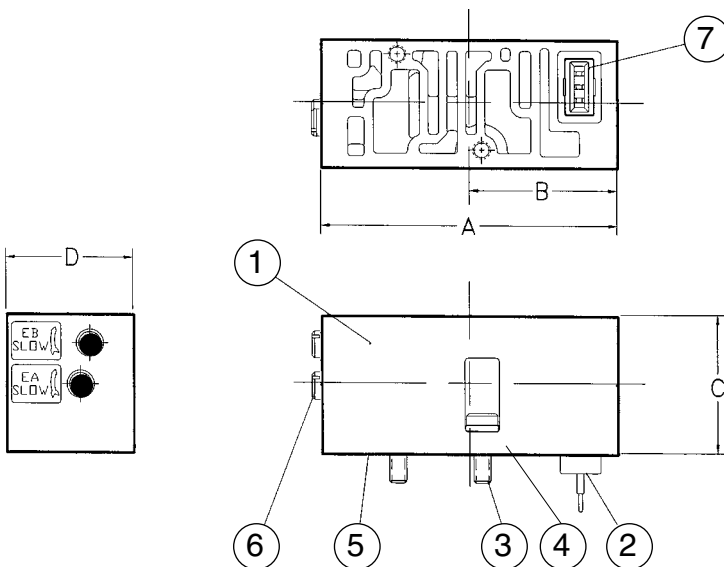
### Blank Station Plate Kit 239-915



#### Parts List

DET. NO.	NO. REQ'D	PART NAME	PART NO.
1	1	Blank Station Plate	104-638
2	1	Gasket	113-505
3	2	Screw	127-536
4	2	Lockwasher	128-192

### Speed Control Kit 239-916



#### Parts List

DET. NO.	NO. REQ'D	PART NAME	PART NO.
1	1	Speed Control (not sold separately)	
2	1	J Plug Board Encap.	230-835
3	2	Screw	127-795
4	2	Lockwasher	128-192
5	1	Gasket	113-499
6	2	Metering Screw	118-198
7	1	Retaining Screw	125-717
not shown	1	Shroud	125-718
not shown	2	Nylon Rod (for metering screw)	125-259

#### Dimensions

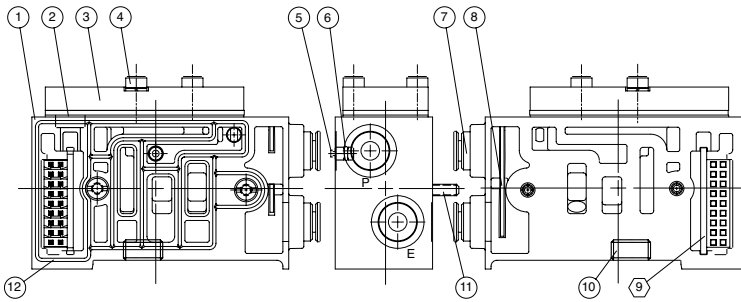
top dimensions = inches  
bottom dimensions (in parenthesis) = millimeters

A	B	C	D
2.04 (51.8)	1.02 (25.9)	0.94 (23.8)	0.87 (22.1)





### Mid-Station Supply and Exhaust Block



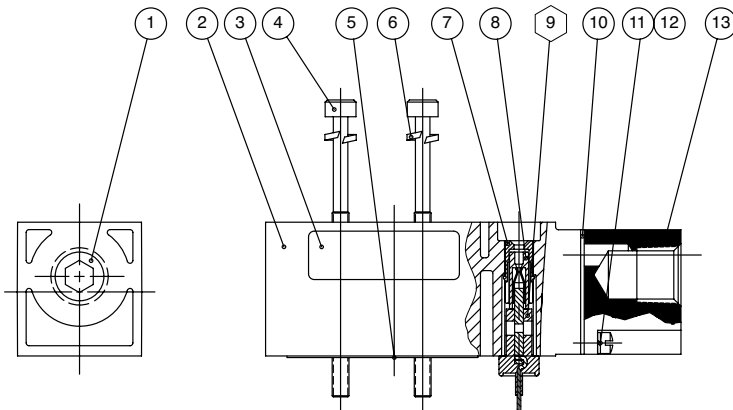
#### Parts List

DET. NO.	NO. REQ'D	PART NAME	PART NO.
1	1	Mid Station Plate	125-1143
2	1	Gasket	113-505
3	1	Blank Station Plate	104-638
4	2	Screw Ass'Y	127-570
5	1	Blocking Plug	125-730
6	1	O-Ring	126-427
7	2	Tube Cartridge	134-499
8	1	Fitting Clip	125-1136
9	1	Transfer Board Ass'Y	256-717
10	1	Pipe Plug	129-100
11	2	Stud	127-792
12	1	Gasket	113-504

PORT SIZE	PART NO.
1/8	239-1419
G 1/8	239-1616
6mm Push-in	239-2344

### Sandwich Pressure Block 1/8 NPTF

239-2519



#### Parts List

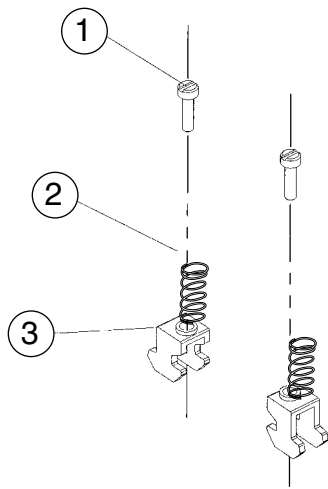
DET. NO.	NO. REQ'D	PART NAME	PART NO.
1	1	Pipe Plug	129-100
2	1	Riser Block	125-715
3	1	Nameplate	122-242
4	2	Screw	127-798
5	1	Gasket	113-499
6	2	Lockwasher	128-192
7	1	Retaining Shroud	125-717
8	1	Shroud	125-718
9	1	J Plug Board Encap.	230-835
10	1	Gasket	113-290
11	4	Screw	127-260
12	4	Lockwasher	128-172
13	1	Adapter	119-737



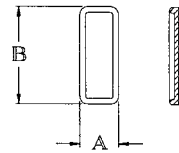
## 2004 Series

### DIN Rail Clamp Kit

239-980



### Blocking Discs

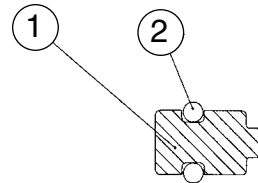


PORT	PART NO.	A	B
P	124-307	0.27	0.70
EA	124-308	0.19	0.73
EB	124-309	0.24	0.54

### Parts List

DET. NO.	NO. REQ'D	PART NAME	PART NO.
1	4	Screw	127-472
2	4	Spring	115-355
3	4	Clamp	125-720

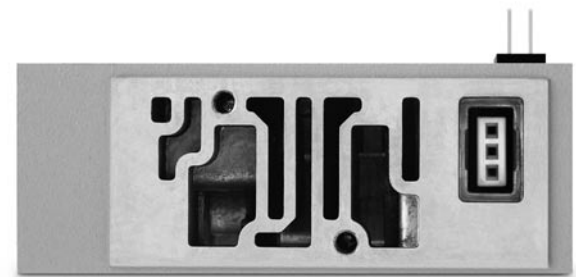
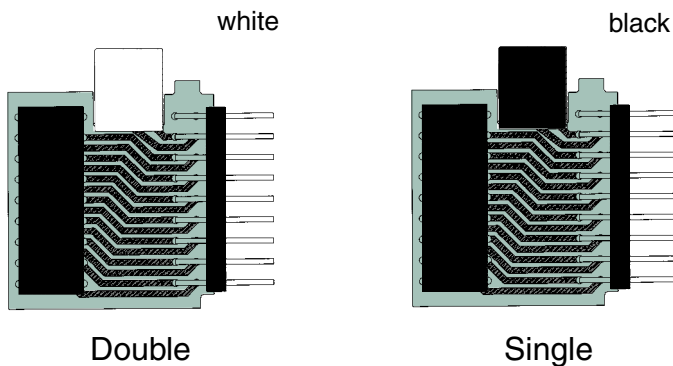
### Internal Pilot Plug Assembly



### Parts List

DET. NO.	NO. REQ'D	PART NAME	PART NO.
1	1	Blocking Plug	125-730
2	1	O-Ring	126-427

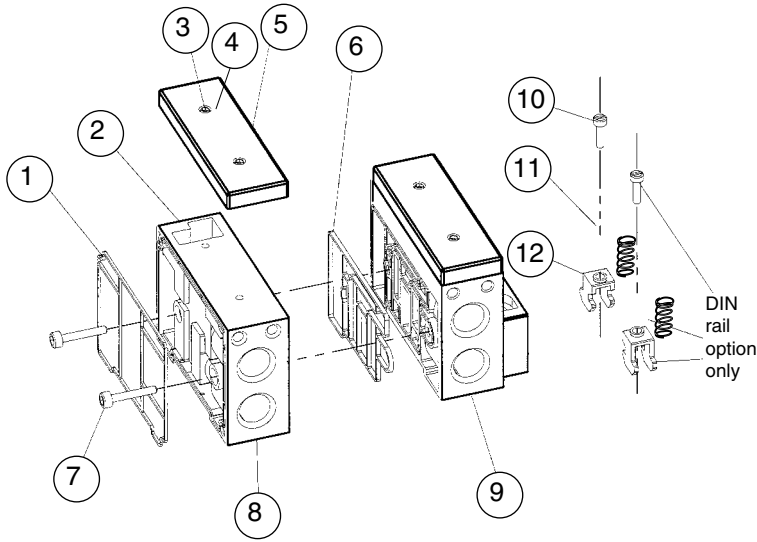
### "Z-Boards"™



Plug color visible from top of manifold block.



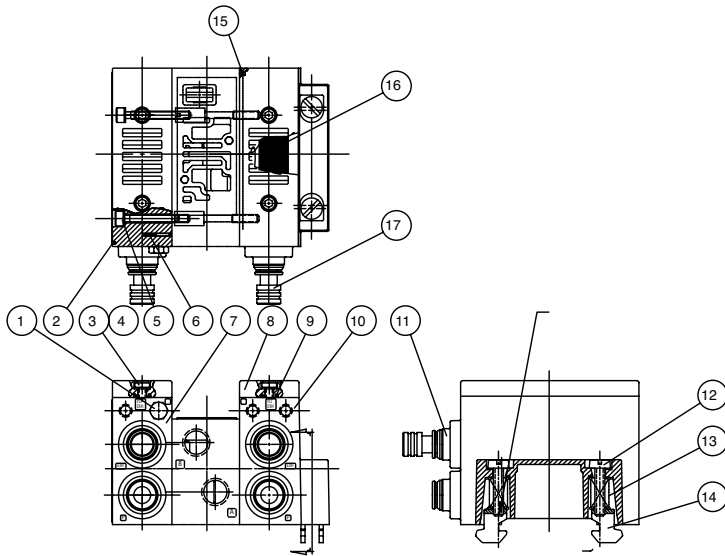
### End Plate Assembly Kit - Threaded



#### Parts List

DET. NO.	NO. REQ'D	PART NAME	PART NO.
1	1	Gasket	113-503
2	2	Gasket	113-500
3	4	Screw	127-795
4	4	Lockwasher	128-192
5	2	End Plate Cover	105-377
6	1	Gasket	113-504
7	2	Screw Assembly	127-563
8	1	LH End Plate	See Chart
9	1	RH End Plate	See Chart
10	2	Screw	127-472
11	2	Spring	115-355
12	2	Clamp	125-720

### End Plate Assembly Kit - Push-In



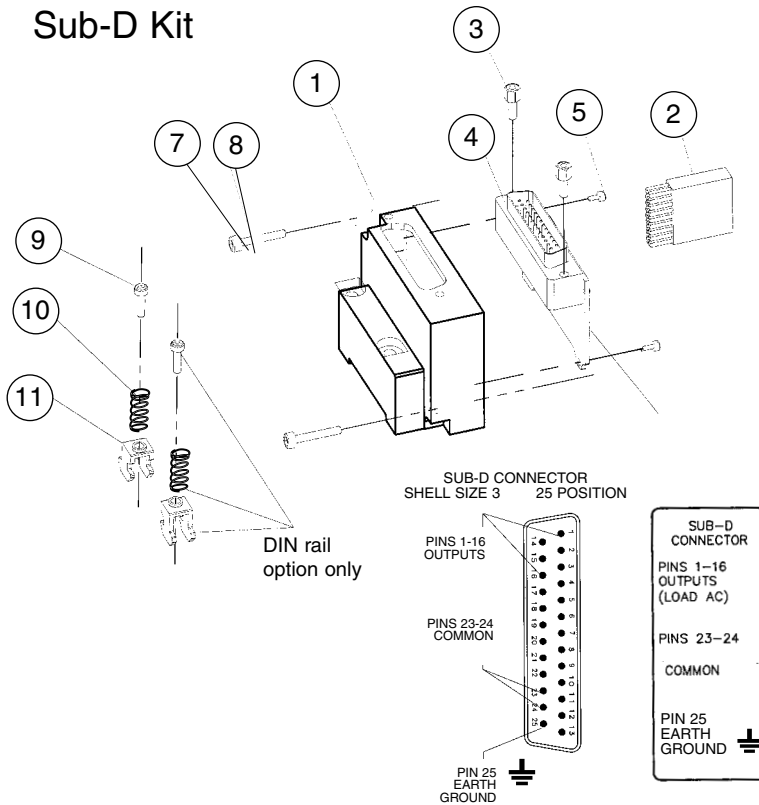
#### Parts List

DET. NO.	NO. REQ'D	PART NAME	PART NO.
1	1	Plug	129-138
2	1	Gasket	113-503
3	4	Screw	127-795
4	4	Lockwasher	128-192
5	2	Screw Ass'y	127-563
6	2	Retaining Clip	125-1137
7	1	LH End Plate	104-813
8	2	End Plate Cover	105-412
9	2	Gasket	113-500
10	1	RH End Plate	104-814
11	4	1/4 Fitting Cartridge	134-502
12	2	Screw	127-472
13	2	Spring	115-355
14	2	Clamp	125-720
15	1	Gasket	113-504
16	2	Muffler	125-846
17	2	Plug	IN118-104-000

FITTING TYPE	1/4 NPTF	ISO228/1-G1/4	1/4 PUSH-IN	6MM PUSH-IN	8MM PUSH-IN
LH End Plate	104-610	104-633	104-813	104-813	104-813
RH End Plate	104-611	104-631	104-814	104-814	104-814
Kit Number without DIN Rail	239-943	239-945	239-2338	239-2336	239-2340
Kit Number with DIN Rail	239-950	239-952	239-2337	239-2335	239-2339
Kit Number with Muffler	N/A	N/A	239-2360	239-2359	239-2361
Kit Number with Muffler & DIN Rail	N/A	N/A	239-2363	239-2362	239-2364



### Sub-D Kit



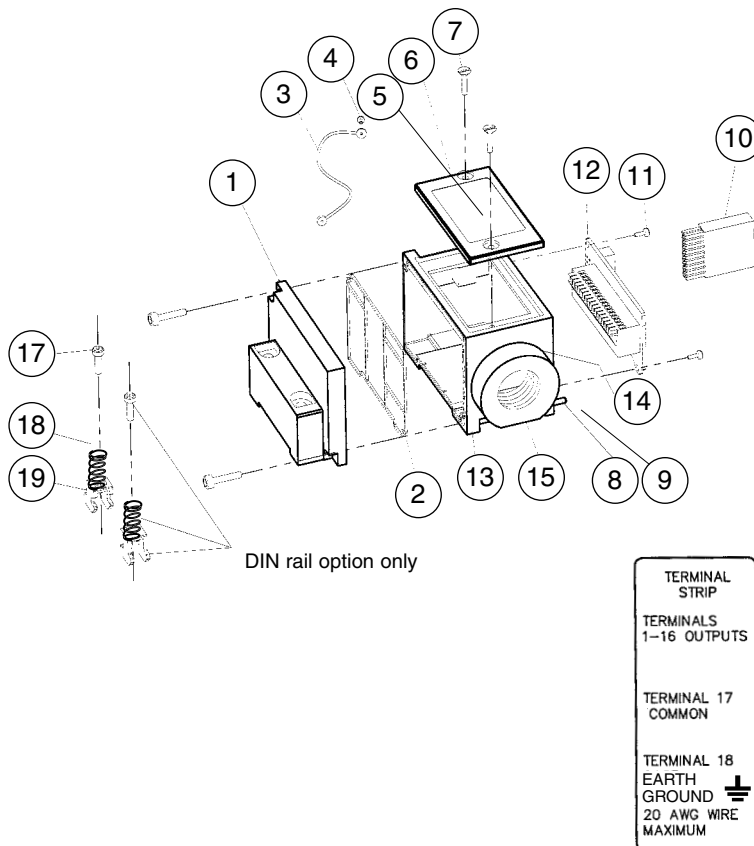
### Parts List

DET. NO.	NO. REQ'D	PART NAME	PART NO.
1	1	Housing	105-379
2	1	Transfer Connector	140-672
3	2	Hex Screw	127-825
4	1	Gasket	113-507
5	2	Screw	127-794
6	1	Sub-D Board Assembly	256-532
7	2	Screw	127-499
8	2	Lockwasher	128-192
9	2	Screw	127-472
10	2	Spring	115-355
11	2	Clamp	125-720

### SUB-D HOUSING KITS

	PART NO.
With DIN Rail	239-972
Without DIN Rail	239-968

### Terminal Block Kit



### Parts List

DET. NO.	NO. REQ'D	PART NAME	PART NO.
1	1	LH DIN Rail Mtg. Cover	105-381
2	1	Gasket	113-503
3	1	Cover Strap	125-772
4	1	Stick Screw	127-180
5	1	Cover	105-384
6	1	Gasket	113-508
7	2	Screw	127-826
8	4	Screw	127-795
9	6	Lockwasher	128-192
10	1	Transfer Connector	140-672
11	3	Screw	127-794
12	1	Terminal Strip Board	256-560
13	1	Housing	125-765
14	1	Gasket	113-509
15	1	Adaptor 1/2" NPTF	119-598
16*	2	Adaptor Mtg. Screw	127-827
17	2	Screw	127-472
18	2	Spring	115-355
19	2	Clamp	125-720

### SUB-D HOUSING KITS

	PART NO.
With DIN Rail	239-1023
Without DIN Rail	239-1022

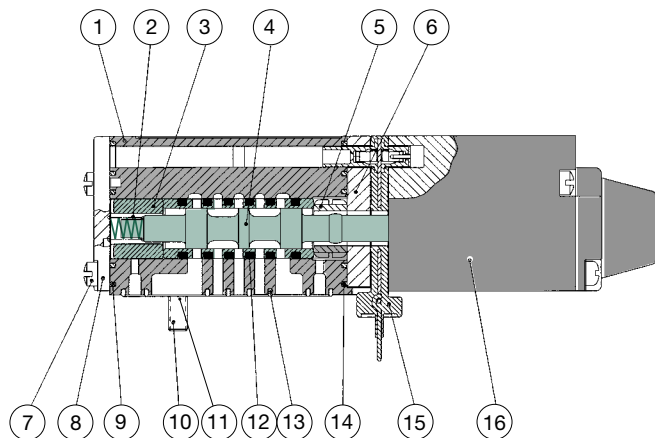


### Valve Service Kits and Parts

#### Direct Acting

Kit No. MK4-K1\*

(For Models 041SA4, 042SA4, 04DSA4)



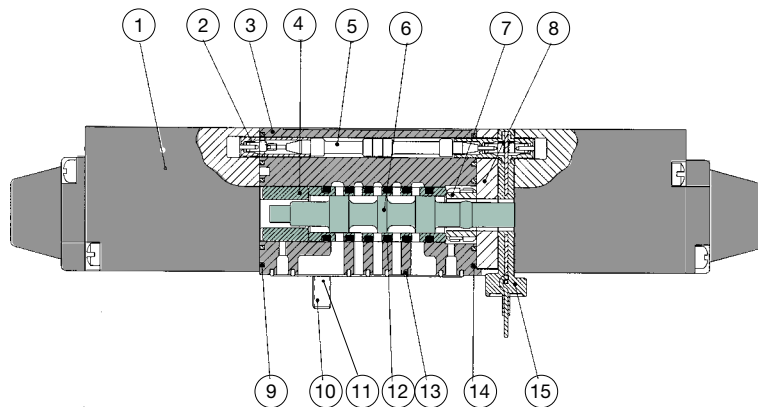
#### Parts List

DET. NO.	NO. REQ'D	PART NAME	PART NO.
1	1	Valve Body (not sold separately)	
2*	1	Spring	115-203
3*	1	Bumper	114-183
4	1	Sleeve Assembly with Seals	209-547
5*	1	Detent Body	110-109
6	1	Spacer	116-496
7	2	Screw	127-797
8	1	Spring Cover	104-609
9*	1	Gasket	113-502
10	2	Screw	127-797
11	2	Lockwasher	128-192
12*	6	Seal	126-133
13*	1	Gasket	113-499
14*	1	Gasket	113-501
15	1	Solenoid Board Encap.	230-1134
16	1	Solenoid Capsule	

\* Indicates parts included in kit.

Kit No. MK4-K1\*

(For Models 041SS4, 042SS4, 04DSS4)



#### Parts List

DET. NO.	NO. REQ'D	PART NAME	PART NO.
1	2	Solenoid Capsule	
2	1	Duck Bill Housing	125-719
3	1	Valve Body (not sold separately)	
4*	1	Bumper	114-183
5	1	A-B Recept. Encap.	230-834
6	1	Sleeve Assembly with Seals	209-547
7*	1	Detent Body	210-111
8	1	Spacer	116-496
9*	1	Gasket	113-502
10	2	Screw	127-797
11	2	Lockwasher	128-192
12*	6	Seal	126-133
13*	1	Gasket	113-499
14*	1	Gasket	113-501
15	1	Solenoid Board Encap.	230-1134

\* Indicates parts included in kit.

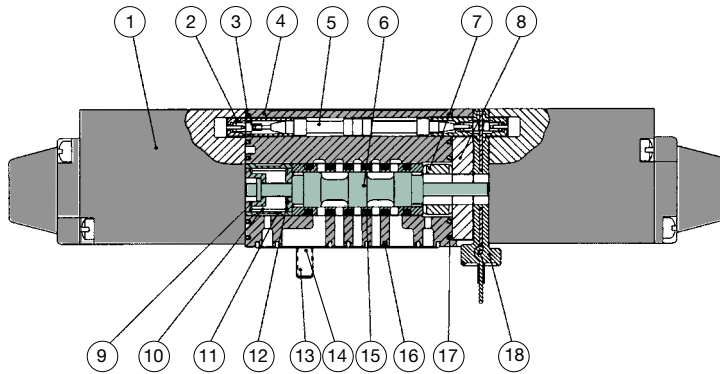


### Valve Service Kits and Parts

#### Direct Acting

Kit No. MK4-K3\*

(For Models 041SS5, 042SS5, 04DSS5)



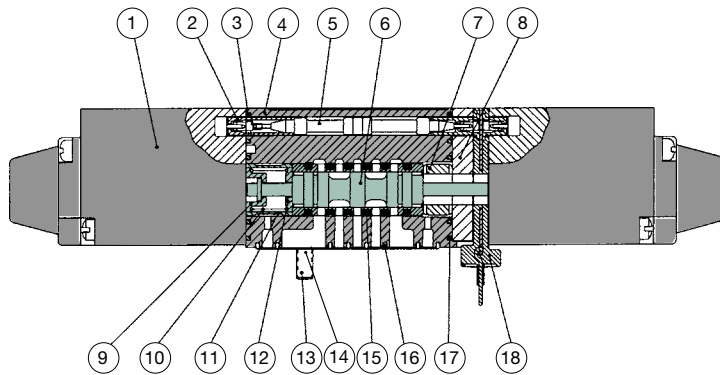
#### Parts List

DET. NO.	NO. REQ'D	PART NAME	PART NO.
1	2	Solenoid Capsule	
2	1	Duck Bill Housing	125-719
3*	1*	Gasket	113-502
4	1	Valve Body (not sold separately)	
5	1	A-B Recept. Encap.	230-834
6	1	Sleeve Assembly with Seals	209-548
7*	1	Bumper	114-171
8	1	Spacer	116-496
9*	1	Spring Retainer	116-396
10	1	Spring	115-291
11*	1	Spacer	116-397
12*	1	Spring Retainer	116-395
13	2	Screw	127-797
14	2	Lockwasher	128-192
15*	6	Seals	126-133
16*	1	Gasket	113-499
17*	1	Gasket	113-501
18	1	Solenoid Board Encap.	230-1134

\* Indicates parts included in kit.

Kit No. MK4-K3\*

(For Models 041SS6, 042SS6, 04DSS6)



#### Parts List

DET. NO.	NO. REQ'D	PART NAME	PART NO.
1	2	Solenoid Capsule	
2	1	Duck Bill Housing	125-719
3*	1	Gasket	113-502
4	1	Valve Body (not sold separately)	
5	1	A-B Recept. Encap.	230-834
6	1	Sleeve Assembly with Seals	209-549
7*	1	Bumper	114-171
8	1	Spacer	116-496
9*	1	Spring Retainer	116-396
10*	1	Spring	115-291
11*	1	Spacer	116-397
12*	1	Spring Retainer	116-395
13	2	Screw	127-797
14	2	Lockwasher	128-192
15*	6	Seals	126-133
16*	1	Gasket	113-499
17*	1	Gasket	113-501
18	1	Solenoid Board Encap.	230-1134

\* Indicates parts included in kit.

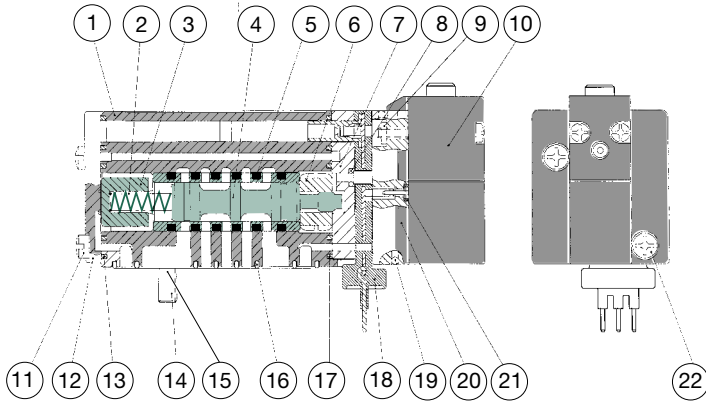


### Valve Service Kits and Parts

#### Solenoid Air Pilot

Kit No. SPA4-K1\*

(For Models 041BA4, 042BA4, 04DBA4)



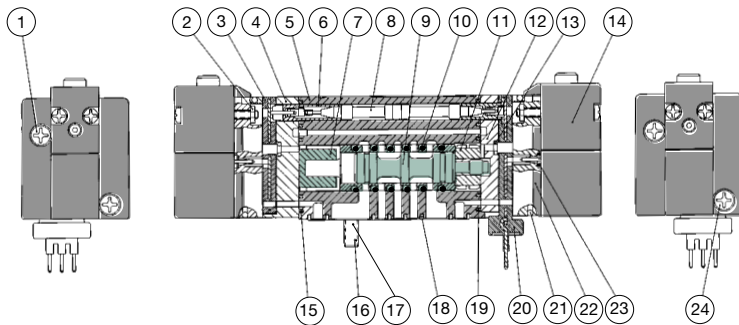
### Parts List

DET. NO.	NO. REQ'D	PART NAME	PART NO.
1	1	Body (not sold separately)	
2 *	1	Spring	115-356
3 *	1	Spring Retainer	116-502
4	1	Sleeve Assembly with Seals	209-555
5 *	6	Seals	126-133
6	1	Detent Body	110-117
7	1	Spacer	116-500
8 *	2	Gasket	113-512
9	2	M1.6 Hex Jam Nut	128-320
10	1	Solenoid Capsule Assembly	See p. 16
11	2	Screw	127-260
12	1	Spring Cover	104-609
13 *	1	Gasket	113-502
14	2	Screw	127-797
15	2	Lockwasher	128-192
16 *	1	Gasket	113-499
17 *	1	Gasket	113-501
18	1	Solenoid Board Encap.	230-1135
19	2	3/64 Ball	121-142
20	1	Pilot Adaptor	119-601
21 *	1	Gasket	113-513
22	2	M2 x 8mm Screw	127-829

\* Indicates parts included in kit.

Kit No. SPA4-K1\*

(For Models 041BB4, 042BB4, 04DBB4)



### Parts List

DET. NO.	NO. REQ'D	PART NAME	PART NO.
1	2	M2 x 14mm Screw	127-828
2	4	M1.6 Hex Jam Nut	128-320
3	1	Solenoid Board Encap.	230-854
4	1	Spacer	116-501
5	1	Body (not sold separately)	
6	1	Duck Bill Housing	125-719
7 *	1	Spring Retainer	116-502
8	1	A-B Recept. Encap.	230-834
9	1	Sleeve Assembly with Seals	209-555
10 *	6	Seals	126-133
11 *	6	Detent Assembly	210-122
12	1	Spacer	116-500
13 *	1	Gasket	113-512
14	2	Solenoid Capsule Assembly	See p. 16
15 *	1	Gasket	113-502
16	2	Screw	127-797
17	2	Lockwasher	128-192
18 *	1	Gasket	113-499
19 *	1	Gasket	113-501
20	1	Solenoid Board Encap.	230-1135
21	4	3/64 Ball	121-142
22	2	Pilot Adaptor	119-601
23 *	1	Gasket	113-513
24	2	M2 x 8mm Screw	127-829

\* Indicates parts included in kit.



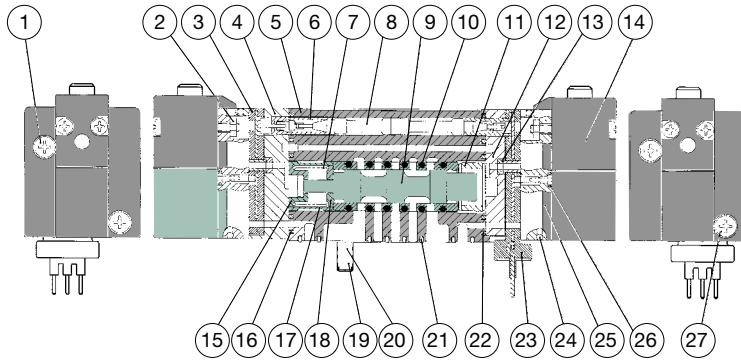
## 2004 Series

### Valve Service Kits and Parts

#### Solenoid Air Pilot

Kit No. SPA4-K3\*

(For Models 041BB5, 042BB5, 04DBB5)



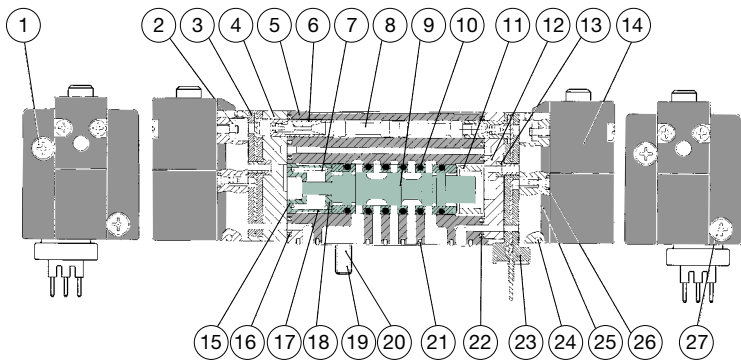
#### Parts List

DET. NO.	NO. REQ'D	PART NAME	PART NO.
1	2	Screw	127-828
2	4	Hex. Nut	128-320
3	1	Solenoid Board Encap.	230-854
4	1	Spacer	116-501
5	1	Body (not sold separately)	
6	1	Duck Bill Housing	125-719
7*	1	Spring	115-291
8	1	A-B Recept Encap.	230-834
9	1	Sleeve Assembly with Seals	209-556
10*	6	Seals	126-133
11	1	Bumper	114-171
12	1	Spacer	116-500
13*	2	Gasket	113-512
14	2	Solenoid Capsule Assembly	See p. 16
15*	1	Spring Retainer	116-396
16*	1	Gasket	113-502
17*	1	Spacer	116-397
18*	1	Spring Retainer	116-395
19	2	Screw	127-797
20	2	Lockwasher	128-192
21*	1	Gasket	113-499
22*	1	Gasket	113-501
23	1	Solenoid Board Encap.	230-1135
24	4	3/64 Ball	121-142
25	2	Pilot Adaptor	119-601
26	2	Gasket	113-513
27	2	Screw	127-829

\* Indicates parts included in kit.

Kit No. SPA4-K3\*

(For Models 041BB6, 042BB6, 04DBB6)



#### Parts List

DET. NO.	NO. REQ'D	PART NAME	PART NO.
1	2	Screw	127-828
2	4	Hex. Nut	128-320
3	1	Solenoid Board Encap.	230-854
4	1	Spacer	116-501
5	1	Body (not sold separately)	
6	1	Duck Bill Housing	125-719
7*	1	Spring	115-291
8	1	A-B Recept Encap.	230-834
9	1	Sleeve Assembly with Seals	209-557
10*	6	Seals	126-133
11*	1	Bumper	114-171
12	1	Spacer	116-500
13*	2	Gasket	113-512
14	2	Solenoid Capsule Assembly	See p. 16
15*	1	Spring Retainer	116-396
16*	1	Gasket	113-502
17*	1	Spacer	116-397
18*	1	Spring Retainer	116-395
19	2	Screw	127-797
20	2	Lockwasher	128-192
21*	1	Gasket	113-499
22*	1	Gasket	113-501
23	1	Solenoid Board Encap.	230-1135
24	4	3/64 Ball	121-142
25	2	Pilot Adaptor	119-601
26	2	Gasket	113-513
27	2	Screw	127-829

\* Indicates parts included in kit.



# NUMATICS®

World Class Supplier  
of Pneumatic Components



## World Headquarters

### Numatics Incorporated

Phone: 248-887-4111  
Fax: 248-887-9190

## UNITED STATES

### Numatics – Air Preparation

Phone: 810-667-3900  
Fax: 810-667-3902

### Numatics – Valves

Phone: 248-887-4111  
Fax: 248-887-9190

### Numatics – Miniature Valves

Phone: 248-960-1400  
Fax: 248-960-2160

### Numatics – Cylinders

Phone: 615-771-1200  
Fax: 615-771-1201

### Numatics – Rodless Cylinders

Phone: 519-452-1777  
Fax: 519-452-3995

### Numatics – Automation

Phone: 440-934-3200  
Fax: 440-934-2288

## CANADA

### Ontario

Numatics, Ltd.  
Phone: 519-452-1777  
Fax: 519-452-3995

### Quebec

Numatics, Ltd.  
Phone: 514-332-6444  
Fax: 514-332-9273

### British Columbia

Numatics, Ltd.  
Phone: 604-574-0401  
Fax: 604-574-3713

## EUROPE

### Germany – European Headquarters

Numatics GmbH  
Phone: 011-49-22 41-31 60-0  
Fax: 011-49-22 41-31 60 40

### Hungary

Numatics Kft.  
Phone: 011-36-13 82 21 35  
Fax: 011-36-12 04 39 47

## EUROPE

### England

Numatics Limited  
Phone: 011-44-1525-37 07 35  
Fax: 011-44-1525-38 25 67

### France

Numatics s.a.r.l.  
Phone: 011-33-1 41 21 48 88  
Fax: 011-33-1 41 21 48 89

### Italy

Numatics srl  
Phone: 011-39-030-373 19 99  
Fax: 011-39-030-373 19 81

### Netherlands

Numatics B.V.  
Phone: 011-31-418-65 29 50  
Fax: 011-31-418-65 29 43

### Spain

Numatics Spain S.L.  
Phone: 011-34-93-221 21 96  
Fax: 011-34-93-221 35 14

## AFRICA

### South Africa

Numatics SA (Pty) Ltd.  
Phone: 011-27-11-8 65 44 52  
Fax: 011-27-11-8 65 42 90

## LATIN & SOUTH AMERICA

### Mexico

Numatics de Mexico S.A. de C.V.  
Phone: 011-52-222-284 6176  
Fax: 011-52-222-284 6179

### Brazil

Valvair Comercial Ltda.  
Phone: 011-55-12-351 2874  
Fax: 011-55-12-351 1958

## ASIA & PACIFIC

### Australia

Numatics Australia Pty. Ltd.  
Phone: 011-61-3-95 63 86 00  
Fax: 011-61-3-95 63 85 11

### Taiwan – Asian Headquarters

Numatics Co, Ltd. Asia  
Phone: 011-886-2-29 15 16 05  
Fax: 011-886-2-29 14 18 97

For a comprehensive listing of all Numatics production and distribution facilities worldwide, visit [www.numatics.com](http://www.numatics.com)